
Reliable Performance

Powerful Features

Comprehensive Coverage



8442 Dot-matrix Integrated Scale/Printer

METTLER TOLEDO



Product Features and Specifications

DISPLAY

- Dual reversed LCD display
- Weight, Tare, and Unit Pricing display
- 24 character dot-matrix display
- Adjustable contrast levels

MEMORY

- Up to 5100 PLUs
- Up to 1000 ingredient records
- 99 merchandising messages
- 8 configurable barcodes
- Marquee message

PRINTER

- Stainless steel printer mechanism
- Ticket / Label Printing
- Speed: 85mm/sec (3.5in/sec)
- Programmable UPC/EAN13 barcode
- Durable long lasting printhead
- Easy to load printer mechanism
- Open, easy to clean design

CAPABILITY

- Service counter or prepack mode
- Host PC communications to maintain data integrity
- Upgradeable flash memory for easy software updates

LABEL

- Width: 40–62mm (1.6"–2.4")
- Standard label lengths supported: 1.9", 2.1", 2.4", 3.3", 3.7"
- Custom label lengths: 20mm–102mm (0.8"–4.0")
- Label Roll: Max outside diameter: 120mm (4.7")
- Label Roll Core: Inside diameter: 40mm (1.6")
- 29 pre-programmed label formats
- Up to 20 custom label formats
- Printable fields: unit price, total price, weight, barcode, product description, pack date, sell by date, store name, special text, item number, PLU number, label number, etc.

KEYBOARD

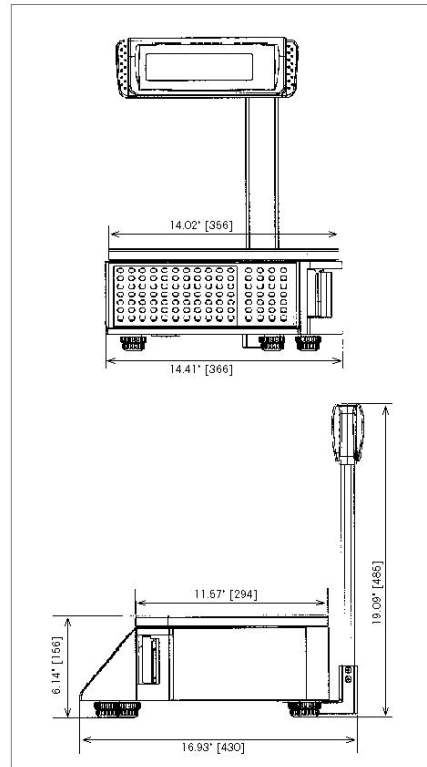
- 28 function keys
- 154 presets (77 keys on two layers)

INTERFACES

- RS232 serial port
- Standard Ethernet interface (TCP/IP)



DIMENSIONS IN: INCH(MM)



Quality Certificate
Development, production, testing of this
product according to the ISO9001:ANO.
0197.A015 & the ISO14001:ANO.06-2000-052

Models	Description	Resolution	Min Cap
8442-1611-000	30 lb, US Version	0.01 lb	0.20 lb
8442-2611-089	15 kg, Canadian Version	5 g	100 g